

The latest YASKAWA FS100 controller generation has been specially developed for the picking & packing sectors and for all other handling applications. The development goal was "Fast, safe, open, small".

Real-time processing of sensor signals, reactions to camera information and other high-speed applications are thus made possible.

All in all, the FS100 thus exploits its superlative performance capabilities to the full in applications where high flexibility is required. Another modern feature is the open concept of the controller which enables users to access robot interfaces and motions externally via a PC or PLC and also to develop their own applications.

Interfaces such as MotoSync and MotoPlus allow the controller to function as a slave of the higher-level controller in a line; this means that it is programmed in your customary PLC language.

The streamlined and compact design requires little space for installation, thereby saving valuable production space. The FS100 thus offers particular advantages for line builders. It can also be combined with the high-performance DX100 controller for welding and multiple-robot applications, without the operator noticing any difference in the teach-in programming.



Key benefits

Designed as an open controller

Development of customised user applications

High flexibility for variable packaging solutions

Safe and fast

Space-saving, streamlined and compact

Energy saving

MOTOMAN FS100

Industrial robot controller

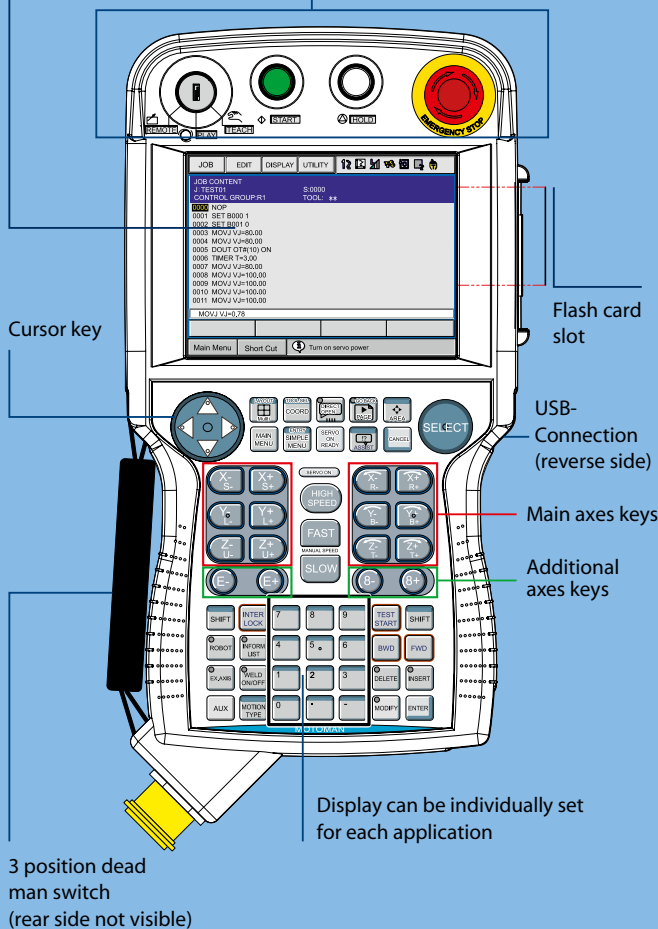
 **YASKAWA**

High performance controller FS100 for MOTOMAN-Robots

Programming pendant (PHG) ergonomic, light and easy

5,7" LCD colour display
Touch screen
Windows operating system

Operation keys start/stop emergency off



Easy and fast programming

Several user levels – from operation to maintenance

Help function

Open Controller

Connection of FS100 to the existing overall system with the YASKAWA software solutions

- MOTOSync
- MOTOPlus
- MOTOGSI
- Windows operating system

Advanced Robot Motion Function (ARM)

Dynamic calculation of torque and loads on the robot axes

- Extremely high path accuracy
- Optimal robot motion and velocity
- Vibration control
- Highly sensitive collision detection

Communication

Ethernet, Web (ftp, opc) Server options and all common fieldbus systems

- Easy integration into existing networks
- Remote monitoring and diagnosis of robot systems

Additional benefits

- Multitasking (free of extra charge)
- Integrated PLC
- Highest performance due to industrial PC
- Boot time: max. 50 sec.
- MTTR (Mean Time To Repair): < 5 min.
- Automatic robot calibration

Control cabinet

Dimensions	470 (W) x 200 (H) x 420 (D)
Weight	Approx. 20 kg
Protection class	IP20
Cooling system	Indirect cooling
Ambient temperature	0° to +45°C (operation) -10° to +60°C (transport and storage)
Relative humidity	Max. 90% non-condensing
Power supply	3-phase 400/415/440 VAC at 50/60 Hz or 1-phase 200/230 VAC at 50/60 Hz
Digital I/O	Card 1: 28 inputs/28 outputs (14 standard/12 system) (Expandable to 1024 inputs/1024 outputs) Card 2: 28 inputs/28 outputs (standard)
Positioning system	Absolute encoder/serial interface
Program memory	10.000 steps, 1.000 instructions and 1.500 PLC steps
Interface	Profibus (Slave), Ethernet IP (Master/Slave), DeviceNet (Master/Slave), CC-Link (Slave), Profinet (Master)
Colour	Analog RAL 7032



All dimensions in mm | Technical data may be subject to change without previous notice | Please request detailed drawings at robotics@yaskawa.eu.com – YR-FS100, B-07-2012, A-No. 157077

Maintenance

Functions	System monitor, internal maintenance clocks (e.g. Servo power-on time)
Self-diagnosis	Classifies errors and major/minor alarms and displays the data
User alarm display	Alarm messages for peripheral devices
Alarm display	Alarm messages and alarm history
I/O diagnosis	Simulated enable/disable outputs
TCP calibration	Automatic calibration of TCP (Tool Centre Point)

Programming pendant

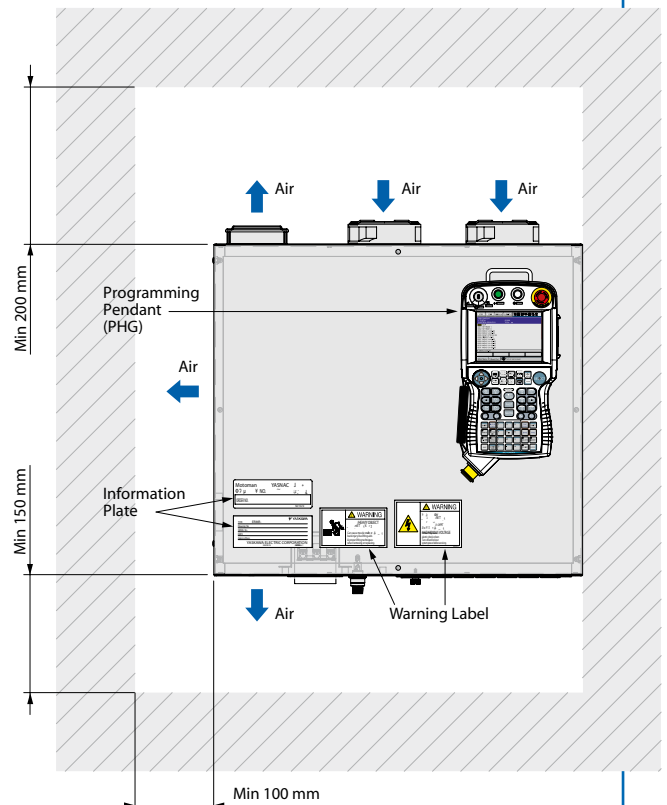
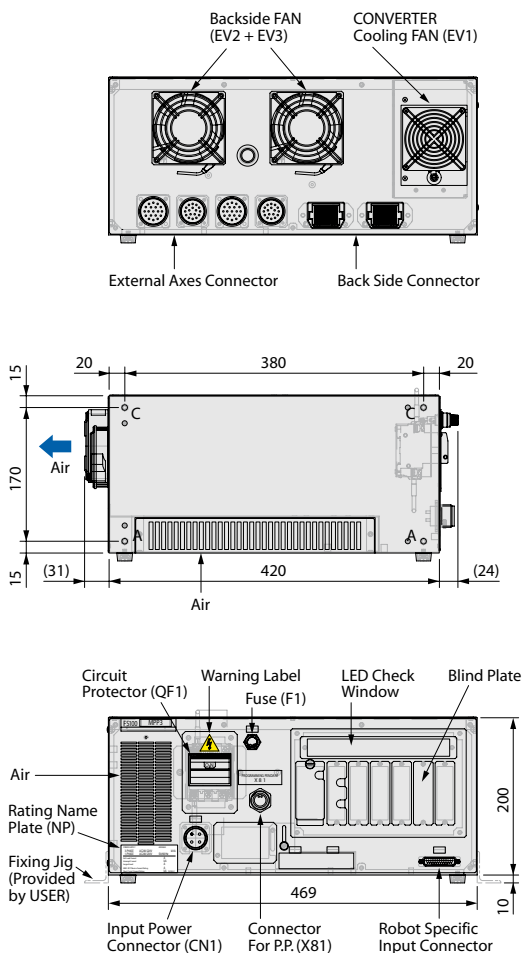
Dimensions	169 (W) x 314.5 (H) x 50 (D)
Touch screen display	5.7" colour LCD (640 x 480 pixels)
Weight	0.986 kg
Coordinate system	Joint, Rectangular/cylindrical, Tool, User-coordinates
Speed adjustment	Fine adjustment possible during operation or teach mode
Shortcuts	Direct access keys and user selectable screen keys possible
Language	Mostly spoken languages available (worldwide)
Interface	Compact Flash card slot, USB port
Operating system	Windows CE

Safety features

Specifications	Dual-channel safety system (Emergency stop, safety interlock), 3-position Dead-man's switch, European safety standard (ISO10218)
Collision avoidance	Collision avoidance zones and radial interference zones
Collision detection	Monitors robot axes' torque levels
Machine lock	Test-run peripheral device without robot motion possible

Programming

Programming language	INFORM III
Robot motion control	Joint motion, linear, circular, spline interpolation
Speed adjustment	Joint motion (% of maximum) Interpolation (mm/sec; cm/min; inch/min) Angular velocity (°/sec)



YASKAWA offices and representatives near to you

YASKAWA Electric Corporation

JP 2-1, Kurosaki-shiroishi
Yahatanishi-ku
Kitakyushu-shi 806-0004
+093-645-8801

YASKAWA Group

A YASKAWA Austria
Schwechat/Wien +43(0)1-707-9324-15

CZ YASKAWA Czech s.r.o.
Rudná u Prahy +420-257-941-718

D YASKAWA Europe GmbH
Robotics Division
Allershausen +49-8166-90-0
YASKAWA Europe GmbH
Headquarter
Eschborn +49-6196-77725-0

E YASKAWA Ibérica S.L.
Sant Boi de Llobregat +34-93-6303478

F YASKAWA France SARL
Saint-Aignan-de-Grand-Lieu
+33-2-40131919

FIN YASKAWA Finland Oy
Turku +358-(0)-403000600

GB YASKAWA UK Ltd.
Banbury +44-1295-272755

I YASKAWA Italia s.r.l.
Torino +39-011-9005833

IL YASKAWA Europe Technology Ltd.
Rosh Ha'ayin +972-3-9004114

NL YASKAWA Benelux B.V.
EB Son +31-40-2895500

RUS YASKAWA Nordic AB
Moskva +46-480-417-800

SE YASKAWA Nordic AB
Torsås +46-480-417-800

SI YASKAWA Slovenia
Ribnica +386-1-8372-410

ZA YASKAWA Southern Africa (PTY) Ltd
Johannesburg +27-11-6083182

Distributors

BG Kammarton Bulgaria Ltd.
Sofia +359-02-926-6060

CH Messer Eutectic Castolin Switzerland S.A.
Dällikon +41-44-847-17-17

EE RKR Seadmed OÜ
Tallinn/Estonia +372 68 35 235

GR Gizelis Robotics
Nea Kifissia +30-2106251455

H Flexman Robotics Kft
Budapest +36-30-9510065

N Optimove as
Lierstranda +47-32240600

PL Integrator RHC Sp. z o.o.
Torun +48-56-6519710

TR Teknodrom Robotik
Otomasyon San. Tic. Ltd. pti
Gebze/Kocaeli +90-262-678-88-18



Headquarters Robotics Division
YASKAWA Europe GmbH
Yaskawastraße 1
D-85391 Allershausen
Tel 0049-81 66-90-0
Fax 0049-81 66-90-103

YASKAWA Academy and
sales office Frankfurt

YASKAWA Europe GmbH
Robotics Division
Hauptstraße 185
D-65760 Eschborn
Tel 0049-61 96-777 25-0
Fax 0049-61 96-777 25-39

www.yaskawa.eu.com
robotics@yaskawa.eu.com

Technical data may be subject to change without previous notice.